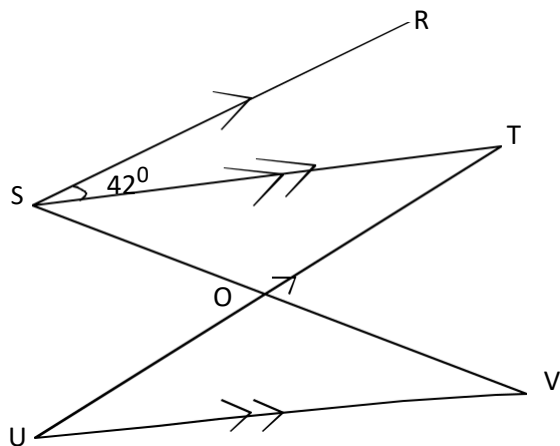


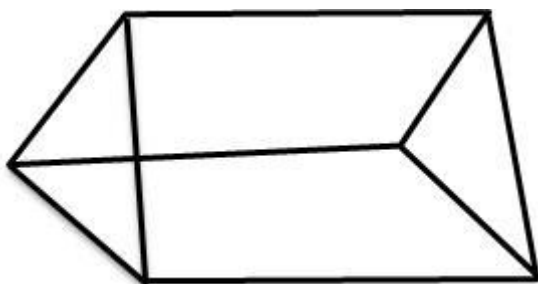
EDU SERIES EXAM
MATHEMATICS
MATHEMATICS STD 7

18. In the figure, line SR is parallel to line TU. While line ST is parallel to UV. Line OS=OT angle RST ($\angle RST$)= 42°



What is the size of angle TOV

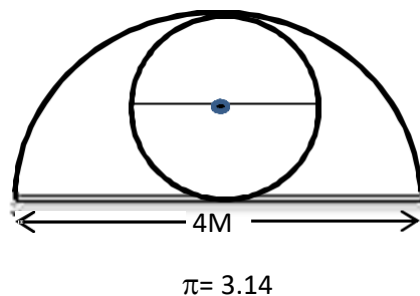
- A. 138° C. 84°
 B. 96° D. 48°
19. What is the sum of the vertices and faces of the rectangular prism shown below



- A. 11 B. 10 C. 8 D. 7

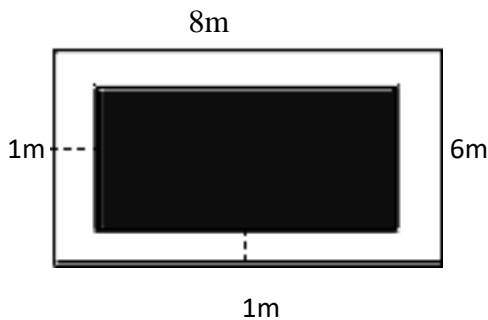
20. Wangoli collects 150 eggs daily from her farm. She sells each egg at sh. 9 to a retailer who sells each egg at sh. 11. how much profit did the retailer make in the month of april 2019
- A. 19000 B. 9000
 C. 1900 D. 1500
21. The population of Heca school was 900. The ratio of boys to girls was 5 : 4 . one day 5% of the girls and 2% of the boys were absent. How many pupils were present
- A. 870 B. 867
 C. 837 D. 603
22. What is place of digit 7 in $16.05 \div 15$
- A. Ones B. Tens
 C. Tenths D. hundredths

23. in the figure below is a circle inscribed in a semi circle . part of the figure is shaded and o is the centre of the circle.



Find the area of the shaded part.

- A. 1.57 B. 4.71
 C. 6.28 D. 9.42
24. Okome ,jombi, and shikwati shared a piece of land. Okome got 0.45 of the land, jombi got 0.3 and shikwati got the rest. How large was Okome's share if shikwati got 2hecters
- A. 8 B. 6 C. 3.6 D. 2.4
25. What is the value of
- $$\frac{0.124 \times 38.4 \times 1.1}{0.32 \times 6.2}$$
- A. 264 B. 26.4
 C. 2.64 D. 0.264
26. Zainabu bought five sacks of carrot for 13500 .each sack weighed 90kg. how much she sell each kg to make 20% profit.
- A. 40 B. 36
 C. 33 D. 30
27. From Kisumu to Kakamega is 63km.ochieng cycled the distance in 3hrs. calculate his speed in m/s
- A. $5\frac{5}{6}$ m/s B. 5m/s
 C. $4\frac{2}{3}$ m/s D. 4m/s
28. In a test marked out of 20 five students scored the following marks,13,17,18,17 and 15. Calculate the percentage average mark.
- A. 16 B. 40
 C. 66 D. 80
29. A carpet was placed in a room leaving a boundary of 1m along the walls as shown.calculate the area not covered by the carpet



- A. $48m^2$ C. $24m^2$
 B. $36m^2$ D. $24m^2$

30. A plane left Nairobi for new york on Monday at 10.45pm . if it took 12hrs and 15 minutes on the way at what time and day did it arrive

- A. Tuesday 11.00pm B. Tuesday 11.00am C. Wednesday 11.00am D. Monday 11.00am

31. What is the value of

$$\frac{6(24-18) + 6 \times 4}{6}$$

- A. 10 B. 25
 C. 28 D. 30

32. What is the value of

$$\frac{P(Q-S)^2}{Q+S^2}$$

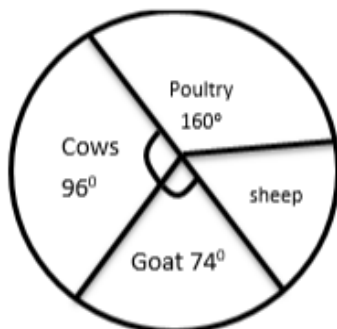
Given that $P=3, S=4 Q=9$

- A. $1^2/13$ B. $1^{13}/17$
 C. 3 D. 9

33. A flag was painted with three different colours. Two fifth was painted black, $1/8$ was painted green and the remaining white. Arrange the colours of the strips painted from smallest to largest

- A. Black,green,white B. Green,white,black C. White,black,green D. Green, black, white

34. The pie chart below shows angles represents animals on omwokos farm



If he has 50 sheep how many cows does he have

- A. 160 B. 120 C. 70 D. 30

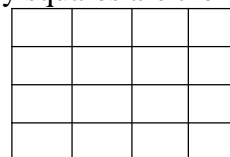
35. Which of the following sets of measurement would give a right angled triangle

- A. 3CM,5CM,6CM
 B. 4CM,6CM,15CM
 C. 8CM,12CM,15CM
 D. 6CM,8CM,10CM

36. In Malaha Farm the population of goats is 51,907. The number of female is 453 more than male. The number of male goats is 18,549 and the rest are kids. What is the number of kids.

- A. 32904
 B. 19002
 C. 15262
 D. 14356

37. The figure below is made up of square s. How many squares are there altogether



- A.25 B. 21 C. 17 D. 16

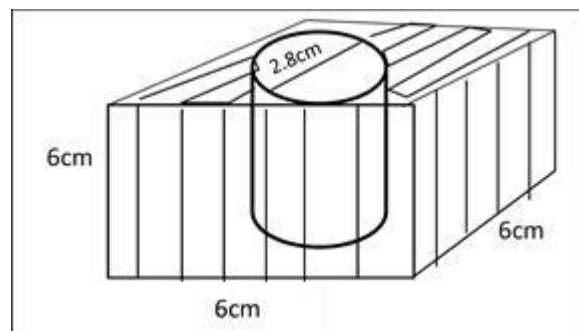
38. The following is part of price list in Big dadys shop.

- 1kg sugar @ 120
 1 kg rice @ 160
 1 kg cooking ft @ sh. 144
 1 loaf bread @ 45

Walumbe bought 2kg of sugar , 1 KG OF RICE , $1/2$ kg cooking fat and 3 loaves of bread,. He gave the shopkeeper a sh. 1000 note. What balance didi he get

- A. 25 C. 17
 B. 21 D. 16

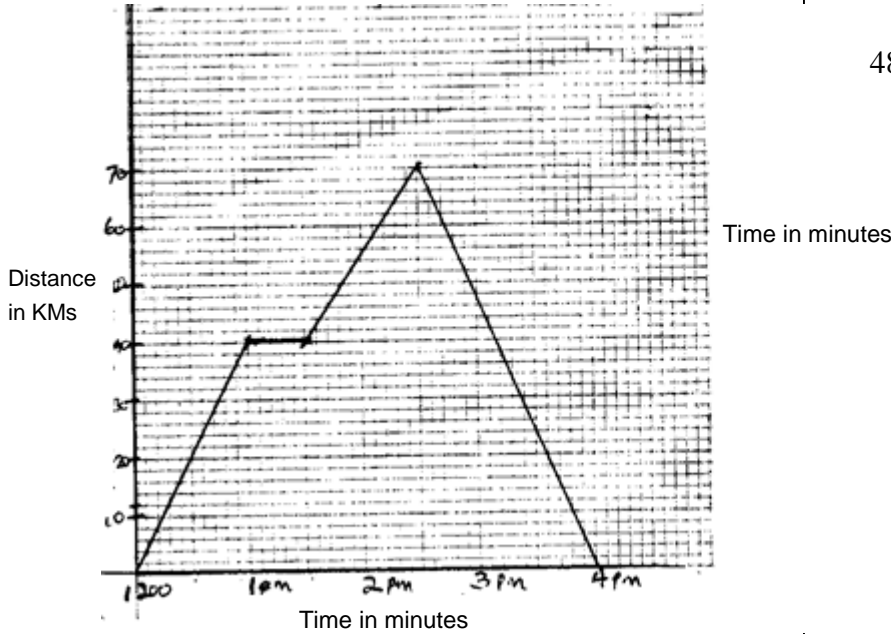
39. The diagram below shows a wooded cube with a cylindrical hole. Calculate the volume of wood left after the hole is drilled out. $\pi = 22/7$



- A. 36.96 C. 179.04
 B. 68.16 D. 216.0

40. Using a pair of compass and ruler. Draw line XY 6cm . Angle XYZ = 90° and YZ is 5cm . Measure angle ZXY.
 A. 90° B. 42° C. 38° D. 50°

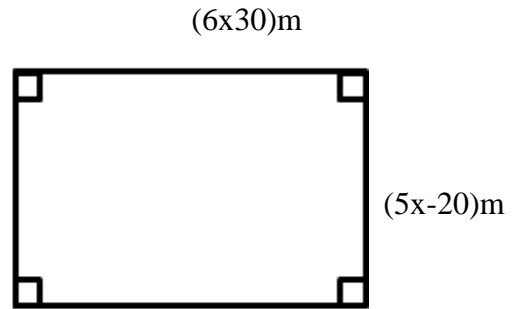
41. The graph below is a travel graph between Kakamega and Bungoma



What is the average speed between 2.30 and 4pm

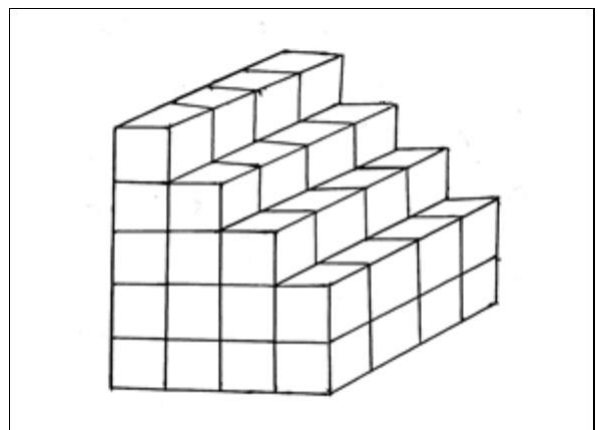
- A. 50 km/h B. $46 \frac{2}{3}$ km/h
 C. 45 km/h D. 40 km/h
42. What is 5.517×14.5 . correct to 2 decimal
 A. 80.00
 B. 80
 C. 79.99
 D. 79.10
43. What is the value of y in the equation $5x + 3(x-4) = 36$
 A. 3 B. 5
 C. 6 D. 8
44. Work out
 $8^{15/16} - 5^{5/8} - 1^{3/16}$
 A. $2^{1/4}$ B. $2^{1/8}$
 C. $2^{1/16}$ D. $1^{1/32}$
45. A ranching company bought 250 goats at ksh.2000 each Later on 40 goats died and the company sold the remaining at 2200 each. What was the percentage loss
 A. 38% B. 8%
 C. 7.6% D. 7.5%

46. Which of the following is true
 A. $2/3 = 0.66$ B. $2/3 > 0.66$
 C. $2/3 < 0.66$ D. $2/3 > 0.67$
47. Which one of the following is not true about a rhombus
 A. All sides are equal
 B. All angles are equal
 C. The diagonals bisect
 D. Opposite sides are parallel
48. The figure below has perimeter 1120m



What is the area in ares

- A. 75900
 B. 759
 C. 75.9
 D. 75900
49. Which of the following numbers is two million thirty five thousand and eight hundredths.
 A. 2035800
 B. 2035000.08
 C. 235000.08
 D. 235000.008
50. The structure is made with square blocks 1cm by 1cm by 1cm.



How many blocks are needed to complete the structure.

- A. 144 B. 84
 C. 64 D. 60